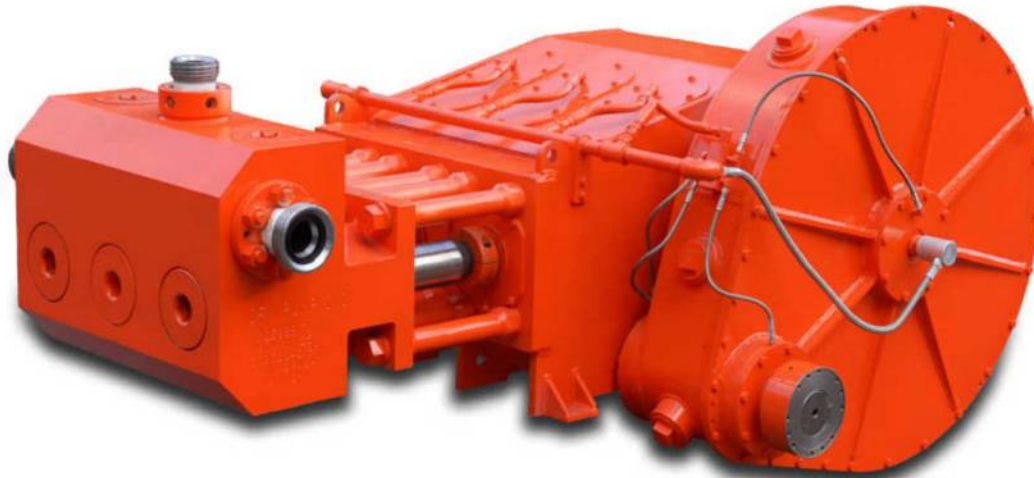


# CB-1000



## TRIPLEX PLUNGER PUMP FOR ACIDIZING, CEMENTING, CIRCULATING, FRACTURING, WELL SERVICE & SAND CONTROL



### INTERMITTANT DUTY RATING

#### PUMP SPECIFICATIONS

Pump Type.....	Horizontal, single-acting plunger
Fluid End Type.....	Forged, Monoblock
Horsepower.....	1000
Stroke Length.....	8"
Maximum Rod Load.....	175,000 lbs.
Gear Ratio.....	6.353 : 1
Weight.....	8,500 lbs.

#### PERFORMANCE DATA \*\*

Plunger Diameter (Inches)	Gallons Per Rev.	PUMP SPEED IN CRANKSHAFT REVOLUTIONS PER MINUTE (RPM)									
		50		100		200		300		330	
		GPM	PSI	GPM	PSI	GPM	PSI	GPM	PSI	GPM	PSI
6	2.94	147	6000	294	4960	588	2475	881	1655	969	1500
5-3/4	2.70	135	6500	270	5400	540	2700	809	1800	890	1639
5-1/2	2.47	123	7000	247	5905	494	2950	741	1967	815	1788
5	2.04	102	8500	204	7140	408	3570	612	2383	673	2163
4-1/2	1.65	83	10,500	165	8483	330	4400	496	2939	545	2672
4	1.31	65	13,300	131	11,161	261	5580	392	3717	431	3383
3-3/4	1.15	57	15,000	115	12,700	229	6350	344	4233	379	3850
3-1/2	1	50	16,500	100	14,500	200	7288	300	4861	330	4415
Brake Horsepower		615		1000		1000		1000		1000	
Pinion RPM		318		635		1271		1906		2097	

\*\* Based on 90% ME and 100% VE.

Note: This pump is available with an Industrial rating of 750 hp.

## Standard Equipment

Oil level gauge  
 Crankshaft type construction  
 Single-extended crankshaft  
 Pressure lubrication  
 Left or right gear box mounting (6.353:1)  
 Suction and discharge on either side  
 Clamp connections between plungers & push rods  
 Colmonoy coated plungers  
 Forged steel fluid cylinder  
 Input hub (1810 Spicer)  
 WECO discharge connections (2" & 3")  
 6" suction manifold with Victaulic connections  
 Non-adjustable header ring packing  
 Center gauge connection (WECO)

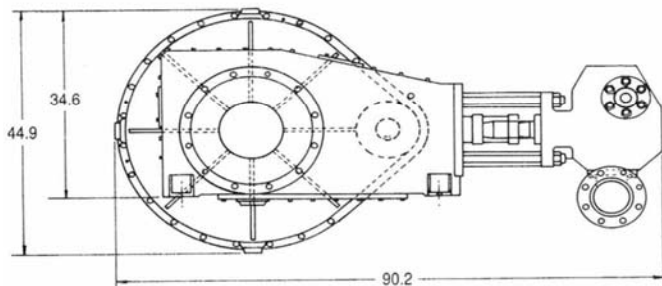
## Optional Accessories

Mechanical stroke and flow counter  
 Lubricator for packing (oil or grease)  
 Suction stabilizer / dampener  
 Discharge pulsation dampeners  
 Discharge pressure relief valve  
 Fluid-end tool kit  
 Suction manifold valve lifters and clean outs  
 Oil filter (spin-on cartridge) and relief valve  
 Valve seat puller kit (manual or hydraulic)  
 Hydraulic torque wrench  
 Companion flanges or WECO adapters  
 Autofrettaged fluid cylinder  
 External lubricator pump with electric motor  
 Oil cooler with electric motor

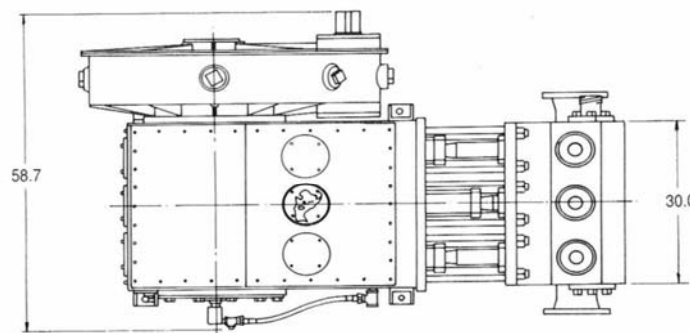
## MATERIAL SPECIFICATIONS

FLUID END		POWER END			
Component	Material	Component	Material	Component	Material
Cylinder	Forged SAE 4340M	Crankshaft	Forged alloy steel	Tie Rods	Steel
Packing	Header ring style	Connecting Rods	High Strength Nodular Iron	Main Bearings	Roller
Stuffing Boxes	Forged steel	Crossheads	High Strength Nodular Iron	Crankpin Bearings	Bronze
Plungers	Colmonoy coated	Crosshead Guides	Bronze (replaceable)	Crosshead Pin Bearing	Bronze

\*Materials listed are furnished as standard equipment. Alternate materials available upon request.



SIDE VIEW



TOP VIEW



[www.candbsales.com](http://www.candbsales.com)

119 Nolan Road, Broussard, Louisiana 70518  
 (337) 837-2701 fax: (337) 837-3250 [sales@candbsales.com](mailto:sales@candbsales.com)

SALES SERVICE PARTS LEASING ENGINEERING PACKAGING