
GARDNER DENVER®

15-517
3rd Edition
April, 1998

SINGLE ACTING TRIPLEX PUMP

11" STROKE

MODEL

PZL99D

PARTS LIST

Gardner

Denver

**MAINTAIN PUMP RELIABILITY AND PERFORMANCE WITH
GENUINE GARDNER DENVER
PARTS AND SUPPORT SERVICES**

Gardner Denver® and OPI® genuine pump parts are manufactured to original tolerances and designed for optimum dependability. Design and material innovations are the result of years of experience with hundreds of different pump applications. Reliability in materials and quality assurance are incorporated in our genuine replacement parts.

Your authorized Gardner Denver and OPI distributor offers all the backup you'll need. A worldwide network of authorized distributors provides the finest product support in the pump industry.

Your local authorized distributor maintains a large inventory of genuine parts and he is backed up for emergency

parts by direct access to the Gardner Denver Machinery Inc. Master Distribution Center (MDC) in Memphis, Tennessee.

Your authorized distributor can support your Gardner Denver and OPI pump needs with these services:

1. Trained parts specialists to assist you in selecting the correct replacement parts.
2. Repair and maintenance kits designed with the necessary parts to simplify servicing your pump.

Authorized distributor service technicians are factory-trained and skilled in pump maintenance and repair. They are ready to respond and assist you by providing fast, expert maintenance and repair services.

For the location of your local authorized Gardner Denver and OPI distributor refer to the yellow pages of your phone directory or contact:

Distribution Center:
Gardner Denver Machinery Inc.
Master Distribution Center
5585 East Shelby Drive
Memphis, TN 38141
Phone: (901) 542-6100
Fax: (901) 542-6159

Factory:
Gardner Denver Machinery Inc.
1800 Gardner Expressway
Quincy, IL 62301
Phone: (217) 222-5400
Fax: (217) 224-7814

INSTRUCTIONS FOR ORDERING REPAIR PARTS

When ordering parts, specify Pump MODEL and SERIAL NUMBER (see nameplate on unit). The Serial Number is also stamped on top of the cylinder end of the frame (cradle area).

All orders for Parts should be placed with the nearest authorized distributor.

Where NOT specified, quantity of parts required per pump or unit is one (1); where more than one is required

per unit, quantity is indicated in parenthesis. **SPECIFY EXACTLY THE NUMBER OF PARTS REQUIRED.**

DO NOT ORDER BY SETS OR GROUPS.

To determine the Right Hand and Left Hand side of a pump, stand at the power end and look toward the fluid end. Right Hand and Left Hand are indicated in parenthesis following the part name, i.e. (RH) & (LH), when appropriate.

TABLE OF CONTENTS

Maintain Pump Reliability and Performance with Genuine Gardner Denver Parts and Support Services	1
Instructions For Ordering Repair Parts	1
Model PZL99D Option Menu	3
Frame & Miscellaneous Parts	4, 5
Drive Parts	6, 7
General Service Fluid Cylinder & Manifolds	8, 9
High Pressure Service Fluid Cylinder & Manifolds	10, 11
Steel-Fitted Center Guided Valve (General Service)	12
With Polyurethane Insert	12
With Carboxylated Nitrile Insert	12
Full Opening Valve – With Polyurethane Insert (High Pressure Service)	13
Piston Rod & Coupling (General Service)	14
Piston & Liner (General Service)	14
Piston Rod & Coupling (High Pressure Service)	15
Piston & Liner (High Pressure Service)	15
Piston Lubricating Pump	16
Oil Circulating Pump	17
Oil Pump & Piping	18, 19
Piston Lubricating Piping (General Service)	20, 21
Piston Lubricating Piping (High Pressure Service)	22, 23
Heat Exchanger Group (Optional Equipment)	24
Oil Filter	25
Valve Seat Puller (Optional Equipment)	26
Optional Equipment	27
Gardner Denver Unit Record	Inside Back Cover

For Operating and Service Instructions see:

SERVICE MANUAL 15-600

**MODEL PZL99D
OPTION MENU**

TYPE OF SERVICE AND FLUID CYLINDER

- General Service – High Pressure Block Steel Cylinder Pages 8 & 9
- High Pressure Service – High Pressure Block Steel Cylinder Pages 10 & 11

FLUID VALVE SELECTIVE

- General Service – Block Steel Cylinder
 - Steel-Fitted Center Guided Valve Page 12
- High Pressure Service – Block Steel Cylinder
 - Full Opening Valve Page 13

PISTON ROD AND COUPLING – PISTON AND LINER SIZE SELECTIVE

- 5-1/2” – 7” Piston and Liner for use with General Service Block Steel Cylinder Page 14
- 5” – 6-1/2” Piston and Liner for use with High Pressure Service Block Steel Cylinder Page 15

PISTON LUBRICATING PIPING

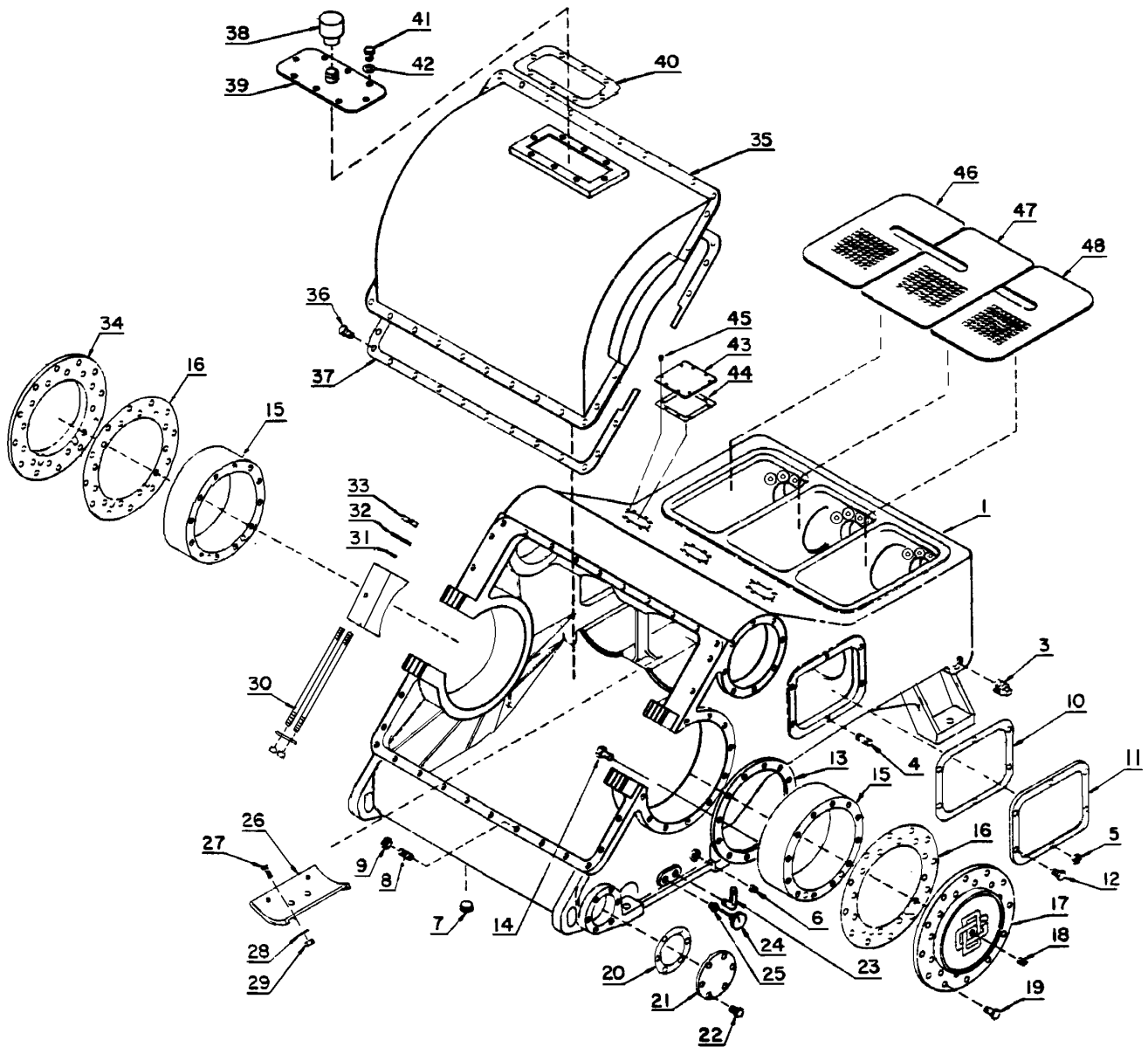
- General Service Pages 20 & 21
- High Pressure Service Pages 22 & 23

OPTIONAL HEAT EXCHANGER Page 24

OPTIONAL VALVE SEAT PULLER Page 26

OPTIONAL EQUIPMENT Page 27

FRAME & MISCELLANEOUS PARTS



207PZL797
(Ref. Drawing)

FOR LIST OF PARTS SEE PAGE 5

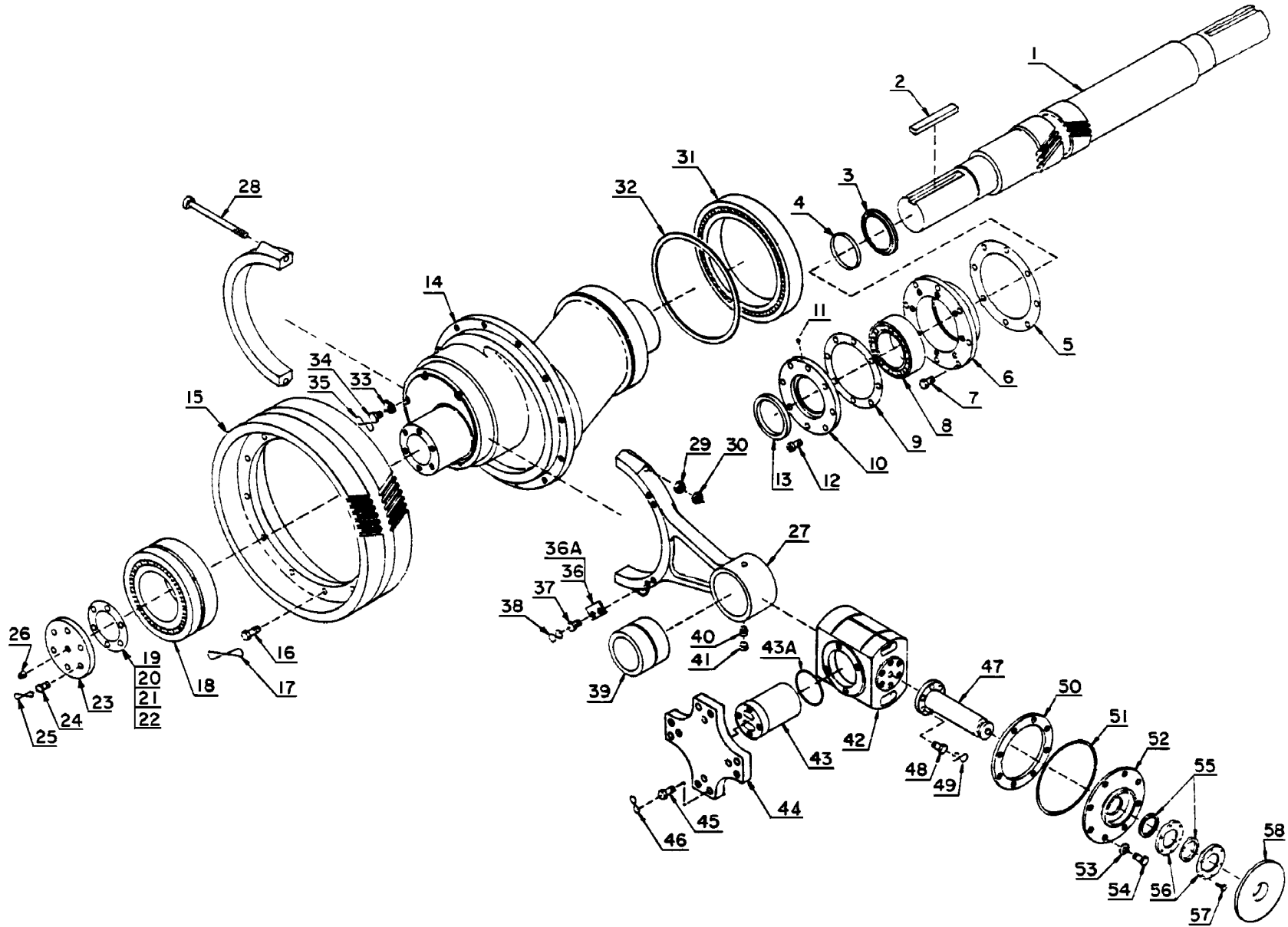
FRAME & MISCELLANEOUS PARTS

Ref. No.	Name of Part	Qty.	Part No.
1	FRAME ASSEMBLY, Includes Reference Numbers 3 thru 9	1	200PZL001A
3	PLUG	1	64AA9
4	STUD, Crosshead Inspection Plate	4	79A238
5	NUT, Crosshead Inspection Stud	4	50B5
6	PLUG	1	64A5
7	PLUG-MAGNETIC, Oil Drain	3	66D13
8	STUD, Hood	2	79A75
9	NUT, Hood Stud	2	50B7
10	GASKET, Crosshead Inspection Plate	2	200PZL715
11	PLATE-INSPECTION, Crosshead	2	200PZL052
12	SCREW, Crosshead Inspection Plate	10	655EE060
13	PLATE-BEARING RETAINER	1	202PZL253
14	SCREW, Bearing Retainer Plate	12	75A237
15	HOUSING-BEARING, Eccentric	2	201PZL006
16	GASKET, Bearing Cover Plate	2	202PZL715N
17	PLATE-BEARING COVER (Rigid Side)	1	200PZL315
19	SCREW, Bearing Cover Plate	48	75A52
20	GASKET, Inspection Plate	1	25C1788N
21	PLATE-INSPECTION	1	202FXT052
22	SCREW, Inspection Plate	6	655EF050
23	GAUGE, Oil Level Sight	1	40L17
24	GAUGE-TEMPERATURE	1	27H11
25	BUSHING-PIPE	1	64E2
26	SLIDE-CROSSHEAD	6	200PZL309
27	SCREW, Crosshead Slide to Frame	24	75LM89
28	SEAL-FASTENER	12	60DD35
29	LOCKNUT	24	50V44
30	STUD, Spacer to Frame	4	200PZL110
31	KEY, Spacer to Frame	4	35C24
32	PLATE	4	200PZL247
33	NUT, Spacer to Frame Stud	8	50B37
34	PLATE-BEARING COVER (Floating Side)	1	201PZL315
35	HOOD	1	200PZL053
36	SCREW, Hood to Frame	36	655EF050
37	GASKET, Hood	1	201PZL715
38	BREATHER	1	5C24
39	PLATE-INSPECTION	1	KXG842
40	GASKET, Inspection Plate	1	25C1818
41	SCREW, Inspection Plate	8	655EF040
42	GASKET, Inspection Plate Screw	8	25F13
43	PLATE-INSPECTION	3	206PZL052
44	GASKET, Inspection Plate	6	25C1839
45	SCREW, Inspection Plate	24	655ED040
46 **	PLATE-INSPECTION, Piston Rod (General Service)	1	201PZL052
**	PLATE-INSPECTION, Piston Rod (High Pressure Service)	1	300PZL052
47 **	PLATE-INSPECTION, Piston Rod (General Service)	1	202PZL052
**	PLATE-INSPECTION, Piston Rod (High Pressure Service)	1	301PZL052
48 **	PLATE-INSPECTION, Piston Rod (General Service)	1	203PZL052
**	PLATE-INSPECTION, Piston Rod (High Pressure Service)	1	302PZL052
*	SCREW, Hood to Frame	4	655EF200

* Not Shown on Drawing.

** Refer to pages 20 thru 23 for Piston Lubricating Piping.

DRIVE PARTS



206PZL797
(Ref. Drawing)

FOR LIST OF PARTS SEE PAGE 7

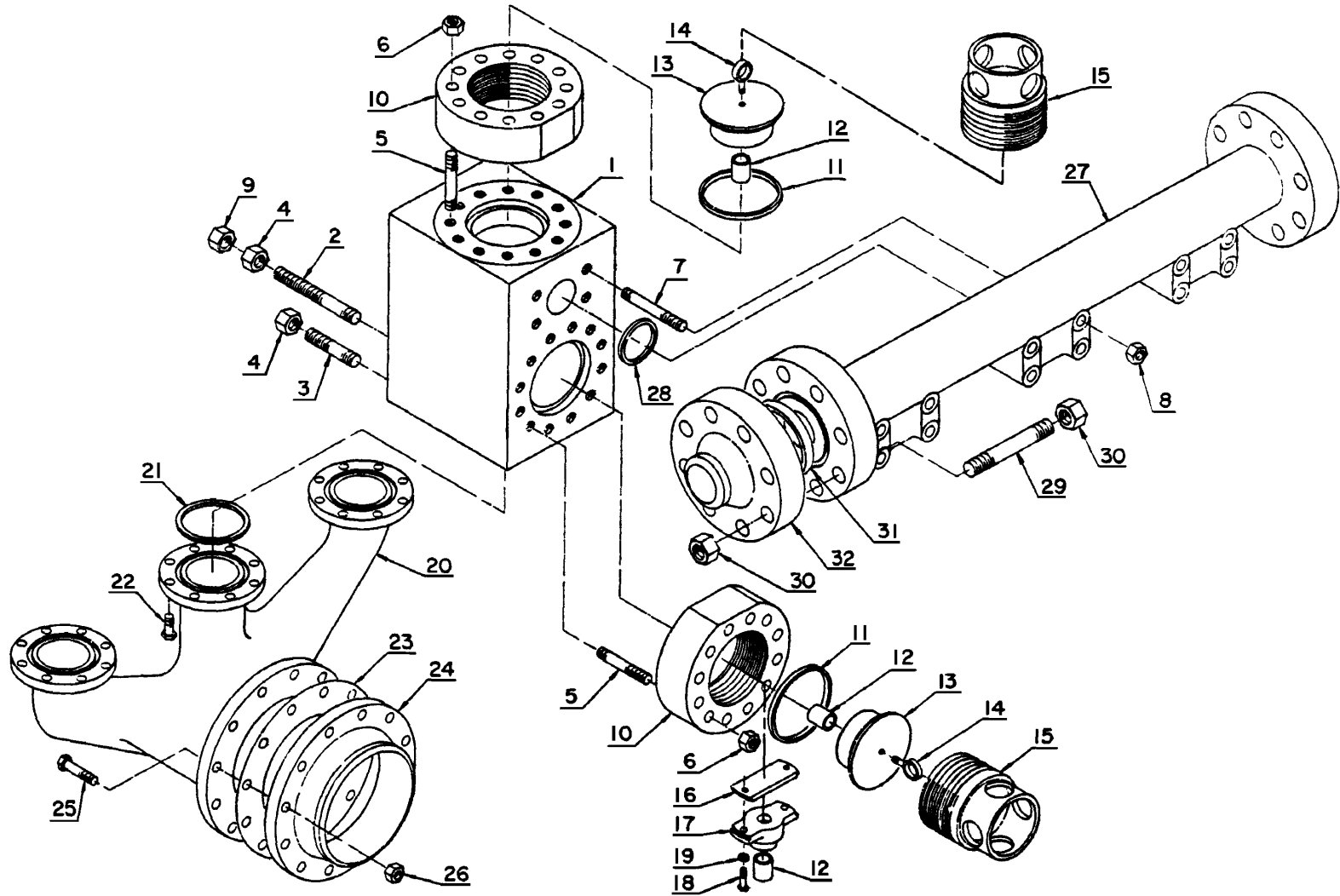
Order by Part Number and Description. Reference Numbers are for your convenience only.

DRIVE PARTS

Ref. No.	Name of Part	Qty.	Part No.	Ref. No.	Name of Part	Qty.	Part No.
1	JACKSHAFT	1	200PZL371	31	BEARING, Connecting Rod to Eccentric	3	12BA6
2	KEY-JACKSHAFT	1	200PZL062	32	RING-RETAINING, Connecting Rod Bearing	1	74D5
3	SPACER, Jackshaft Bearing	2	GXH649	33	PLATE-RETAINING, Bearing to Eccentric	14	1PZ1400
4	SLEEVE-WEAR	2	80M3	34	SCREW, Bearing to Eccentric	14	655EF05D
5	GASKET, Bearing Housing to Frame	2	25BC11	35	WIRE	672"	97A29
6	HOUSING-BEARING	2	200PZL006	36	PLATE-RETAINING, Bearing to Connecting Rod ..	22	PZ1400
7	SCREW, Bearing Housig to Frame	16	75A52	36A	PLATE-RETAINING, Bearing to Connecting Rod ..	2	203PZL253
8	BEARING-ROLLER, Jackshaft	2	12W73	37	SCREW, Bearing to Connecting Rod	48	75B41
9	GASKET, Retainer Plate to Bearing Housing	2	25BC12	38	WIRE	288"	97A29
10	PLATE, Bearing Retainer	2	201PZL253	39	BEARING-ROLLER, Crosshead Pin	3	12BA5
12	SCREW, Retainer Plate to Bearing Housing	16	655EG070	40	PIN-LOCK	3	PZ838
13	SEAL-OIL	2	60DD13	41	SET SCREW	3	76F10
14	ECCENTRIC	1	200PZL255	42	CROSSHEAD	3	200PZL005
				43	PIN-CROSSHEAD	3	200PZL189
15	GEAR-DRIVEN	1	200PZL280	43A	RING-RETAINING, Bearing	3	200PZL706
16	SCREW, Gear to Eccentric	12	200PZL655	44	PLATE-RETAINER, Crosshead Pin	3	206PZL168
17	WIRE	144"	97A29	45	SCREW, Crosshead Pin Retainer	24	75AG17
18	BEARING-ROLLER, Eccentric	2	12BA4	46	WIRE	12"	97A29
19	SHIM (.002)	6	201PZL732	47	ROD-EXTENSION	3	200PZL839
20	SHIM (.005)	6	202PZL732	48	SCREW, Rod to Crosshead	18	PV701
21	SHIM (.007)	6	203PZL732	49	WIRE	288"	97A29
22	SHIM (.020)	8	204PZL732	50	PLATE-RETAINER, Oil Stop Head to Frame	6	202PZL168
23	PLATE-RETAINER, Eccentric Bearing	2	200PZL168	51	GASKET, Oil Stop Head	3	25BC13
24	SCREW, Retainer to Eccentric	16	75B148	52	HEAD-OIL STOP	3	200PZL051
25	WIRE	48"	97A29	53	GASKET	24	25F9
27	CONNECTING ROD, Includes Reference Numbers 28 & 29	3	200PZL003	54	SCREW, Oil Stop Head to Frame	24	655EE080
28	BOLT-CONNECTING ROD	6	PZ890	55	SEAL, Oil Stop Head	6	2011872
29	NUT, Connecting Rod Bolt	6	50B34	56	RING-RETAINER, Oil Stop Head Seal	6	1PV1398
30	LOCKNUT, Connecting Rod Bolt	6	50M3	57	SCREW, Seal Retainer to Oil Stop Head	18	75A102
				58	BAFFLE-ROD	3	PZ840
				*	ADAPTOR, For Rotating Shaft	1	2PO1398
				*	SCREW, Adaptor to Shaft	2	655EF050

* Not shown.

GENERAL SERVICE FLUID CYLINDER & MANIFOLDS



15-517 Page 8

208PZL797
(Ref. Drawing)

FOR LIST OF PARTS SEE PAGE 9

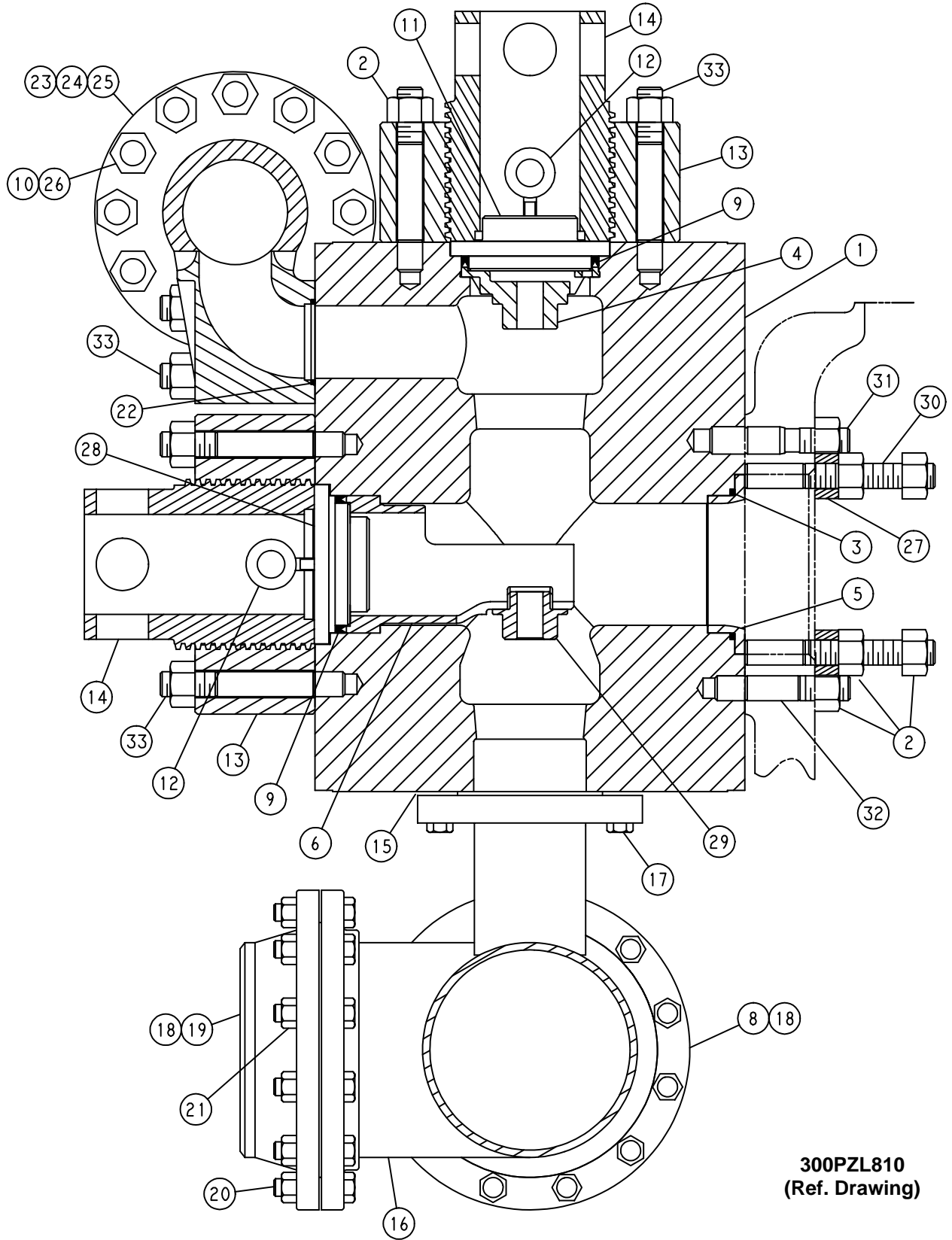
Order by Part Number and Description. Reference Numbers are for your convenience only.

GENERAL SERVICE FLUID CYLINDER & MANIFOLDS

Ref. No.	Name of Part	Qty.	Part No.
1	FLUID CYLINDER ASSEMBLY, Includes Reference Numbers 2 thru 9	3	202PZL029B
2	STUD (Long), Cylinder to Frame	24	201PZL110
3	STUD (Short), Cylinder to Frame	24	205PZL110
4	NUT, Cylinder to Frame Stud	36	50B36
5	STUD, Valve Cover Ring to Cylinder	72	204PZL110
6	NUT, Valve Cover Ring to Cylinder Stud	72	50B34
7	STUD, Cylinder to Discharge Manifold	12	202PZL110
8	NUT, Cylinder to Discharge Manifold Stud	12	50B34
9	NUT, Liner Clamp	24	50B36
10	RING-VALVE COVER	6	200PZL387
11	GASKET, Valve Cover	6	204PZL715
12	BUSHING, Suction Valve Guide	9	2007674
13	COVER-VALVE	6	200PZL147
14	BOLT-EYE	6	15P5
15	LOCK-COVER	6	200PZL587
16	PLATE-RETAINER	3	2011701
17	VALVE GUIDE ASSEMBLY, Includes Reference Numbers 12, 16, 18 & 19	3	200PZL483A
18	SCREW, Valve Guide to Retainer Plate	6	655EE06S
19	LOCKWASHER	6	95W2
20	MANIFOLD-SUCTION	1	200PZL069
21	GASKET, Suction Manifold to Cylinder	3	25BE41
22	SCREW, Suction Manifold to Cylinder	24	655EG08N
23	GASKET, Suction Manifold Flange	1	25C814N
24	FLANGE, Suction Flange	1	64CU13
25	SCREW, Suction Flange to Manifold	12	75A150
26	NUT, Suction Flange to Manifold	12	50B9
27	MANIFOLD-DISCHARGE	1	201PZL071
28	GASKET, Discharge Manifold to Cylinder	3	25AL35
29	STUD, Discharge Manifold to Discharge Flange	16	209PZL110
30	NUT, Discharge Manifold to Discharge Flange	32	50AW11
31	GASKET, Discharge Manifold Flange	2	25V24
32	FLANGE-DISCHARGE	1	64EB15
*	FLANGE-BLIND	1	64EB240

* Not shown.

HIGH PRESSURE SERVICE FLUID CYLINDER & MANIFOLDS



300PZL810
(Ref. Drawing)

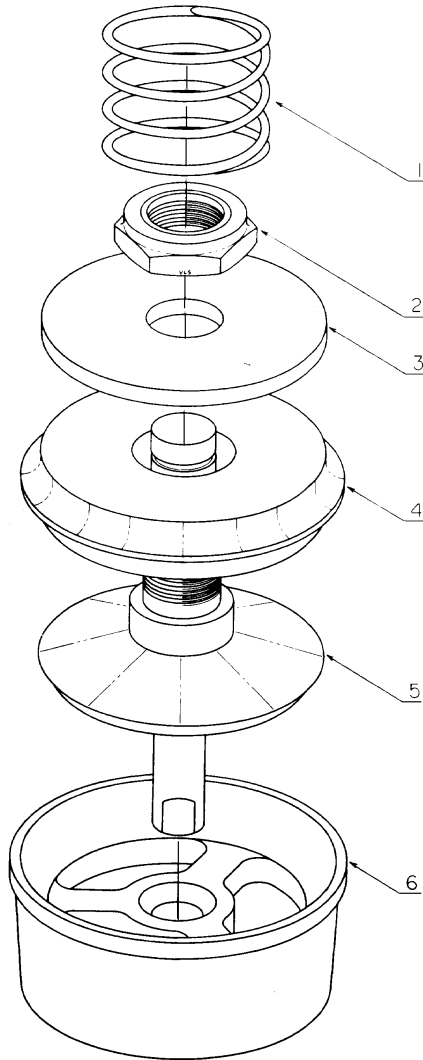
Order by Part Number and Description. Reference Numbers are for your convenience only.

HIGH PRESSURE SERVICE FLUID CYLINDER & MANIFOLDS

Ref. No.	Name of Part	Qty.	Part No.
1	FLUID CYLINDER ASSEMBLY, Includes Reference Numbers 30 thru 33	3	300PZL2039
2	NUT	168	50B36
3	SEAL	3	303PZL316
4	GUIDE, VALVE (UPPER)	3	300PZL483
5	RING, WEAR	3	300PZL234
6	RETAINER, VALVE GUIDE	3	300PZL205
8	FLANGE-BLIND	2	2009671
9	SEAL	6	300PZL316
10	NUT	48	50AW13
11	COVER-VALVE (UPPER)	3	301PZL147
12	BOLT-EYE	6	15P27
13	RING-VALVE COVER	6	300PZL387
14	LOCK-COVER	6	300PZL587
15	GASKET	3	25BE41
16	MANIFOLD-SUCTION	1	300PZL069
17	SCREW	24	655EG10N
18	GASKET-RING	3	25C1154N
19	FLANGE	1	64CU12
20	SCREW	36	75A150
21	NUT	36	50B9
22	SEAL	3	302PZL316
23	MANIFOLD-DISCHARGE	1	300PZL071
24	GASKET	2	25BC638
25	FLANGE	2	64EB838
26	STUD	24	305PZL110
27	BUSHING	12	300PZL229
28	COVER-VALVE (LOWER)	3	300PZL147
29	GUIDE-VALVE (LOWER)	3	301PZL483
30	STUD	36	302PZL110
31	STUD	6	300PZL110
32	STUD	6	303PZL110
33	STUD	84	301PZL110

Order by Part Number and Description. Reference Numbers are for your convenience only.

**STEEL-FITTED CENTER GUIDED VALVE
(General Service)**



C76502

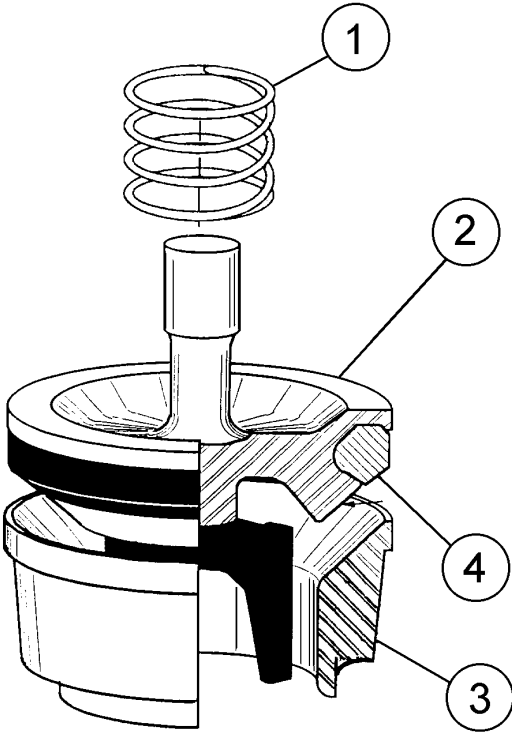
Ref. No.	Name of Part	Qty.	Part No.
WITH POLYURETHANE INSERT			
	FLUID VALVE ASSEMBLY, Includes Ref. Nos. 2 thru 5 .	6	202PZL482A
1	SPRING	6	78H44
2	LOCKNUT	6	50V27
3	WASHER-VALVE	6	201PZL279
4	INSERT (Polyurethane)	6	201PZL106
5	VALVE-FLUID	6	202PZL482
6	SEAT-VALVE *	6	202PZL039

* For Valve Seat Puller, See Page 26.

Ref. No.	Name of Part	Qty.	Part No.
WITH CARBOXYLATED NITRILE INSERT			
	FLUID VALVE ASSEMBLY, Includes Ref. Nos. 2 thru 5	6	202PZL482B
1	SPRING	6	78H44
2	LOCKNUT	6	50V27
3	WASHER-VALVE	6	201PZL279
4	INSERT (Carboxylated)	6	202PZL106
5	VALVE-FLUID	6	202PZL482
6	SEAT-VALVE *	6	202PZL039

* For Valve Seat Puller, See Page 26.

Order by Part Number and Description. Reference Numbers are for your convenience only.



**FULL OPENING VALVE
(High Pressure Service)**

Ref. No.	Name of Part	Qty.	Part No.
WITH POLYURETHANE INSERT			
1	SPRING	6	2117313
2	VALVE-FLUID (Includes Reference Number 4)	6	300PZL482
3	SEAT-VALVE	6	300PZL039
4	INSERT-VALVE	6	2117312

* For Valve Seat Puller, See Page 26.

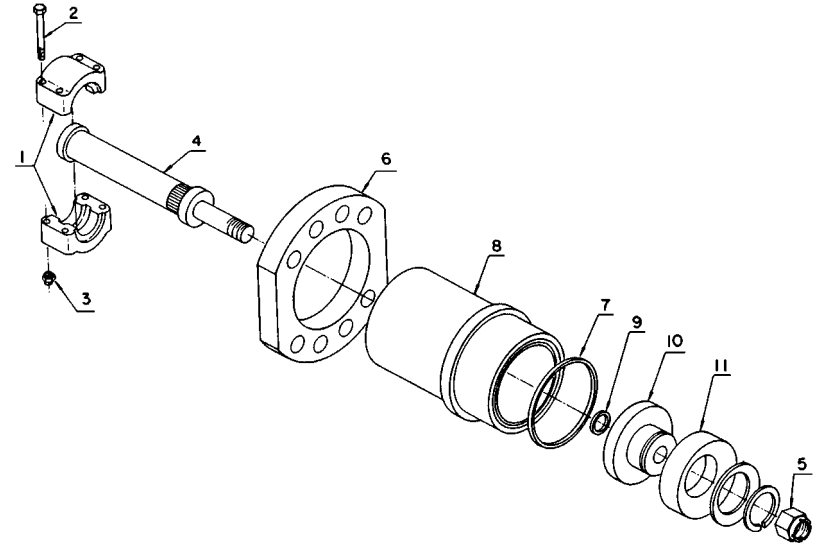
**303PZL797
(Ref. Drawing)**

Order by Part Number and Description. Reference Numbers are for your convenience only.

**PISTON ROD & COUPLING
(General Service)**

Ref. No.	Name of Part	Qty.	Part No.
1	COUPLING-PLUNGER ASSEMBLY, Includes Reference Numbers 2 & 3	3	200PZL4065
2	SCREW, Coupling	12	655EE22S
3	LOCKNUT, Coupling Screw	12	50AW35
4	PISTON ROD, Includes Reference Number 5	3	200PZL060
5	LOCKNUT	3	50V14
6	CLAMP-LINER	3	200PZL455
7	GASKET, Liner to Cylinder	3	25AT37
*	WRENCH	1	99L11

* Not shown.



C75081

**PISTON & LINER
(General Service)**

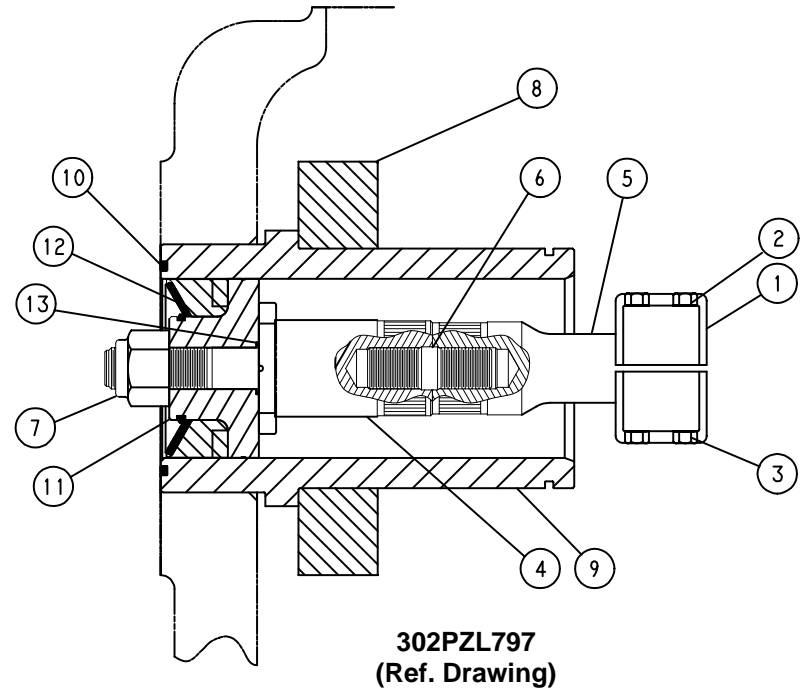
Ref. No.	Name of Part	Qty.	7" Part No.	6-1/2" Part No.	6" Part No.	5-1/2" Part No.
8	LINER	3	200PZL456	201PZL456	202PZL456	203PZL456
9	O-RING	3	25AH1	25AH1	25AH1	25AH1
10	PISTON ASSEMBLY, Includes Reference Numbers 9 & 11	3	202TBL045A	201TBL045A	245TBB045A	243TBB045A
11	INSERT GROUP, Includes Retainer Plates & Rings	3	TBL77586	TBL77585	TBB76028	TBB76026

Order by Part Number and Description. Reference Numbers are for your convenience only.

**PISTON ROD & COUPLING
(High Pressure Service)**

Ref. No.	Name of Part	Qty.	Part No.
1	COUPLING-PLUNGER ASSEMBLY, Includes Reference Numbers 2 & 3	3	300PZL4065
2	SCREW, Coupling	12	655EE22S
3	LOCKNUT, Coupling Screw	12	50AW35
4	PISTON ROD, Includes Reference Number 7	3	301PZL060
5	PISTON ROD	3	302PZL060
6	STUD, PISTON ROD	3	304PZL110
7	LOCKNUT	3	50V14
8	CLAMP-LINER	3	300PZL455
*	WRENCH	1	99L11

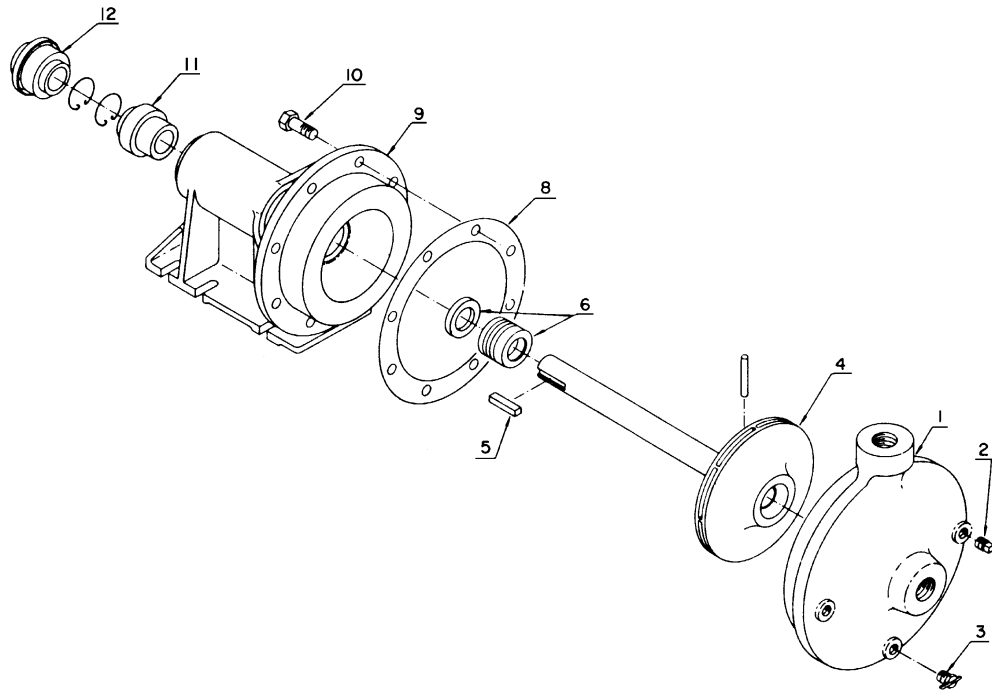
* Not shown.



**PISTON & LINER
(High Pressure Service)**

Ref. No.	Name of Part	Qty.	6-1/2" Part No.	6" Part No.	5-1/2" Part No.	5" Part No.
9	LINER (Includes Ref. Number 10)	3	300PZL4055	301PZL4055	302PZL4055	303PZL4055
10	SEAL-LINER END	3	301PZL316	303PZL316	303PZL316	303PZL316
11	PISTON ASSEMBLY, Includes Reference Numbers 12 & 13	3	201TBL045A	245TBB045A	243TBB045A	241TBB045A
12	INSERT GROUP, Includes Retainer Plates & Rings	3	TBL77585	TBB76028	TBB76026	TBB76024
13	O-RING	3	25AH1	25AH1	25AH1	25AH1

Order by Part Number and Description. Reference Numbers are for your convenience only.

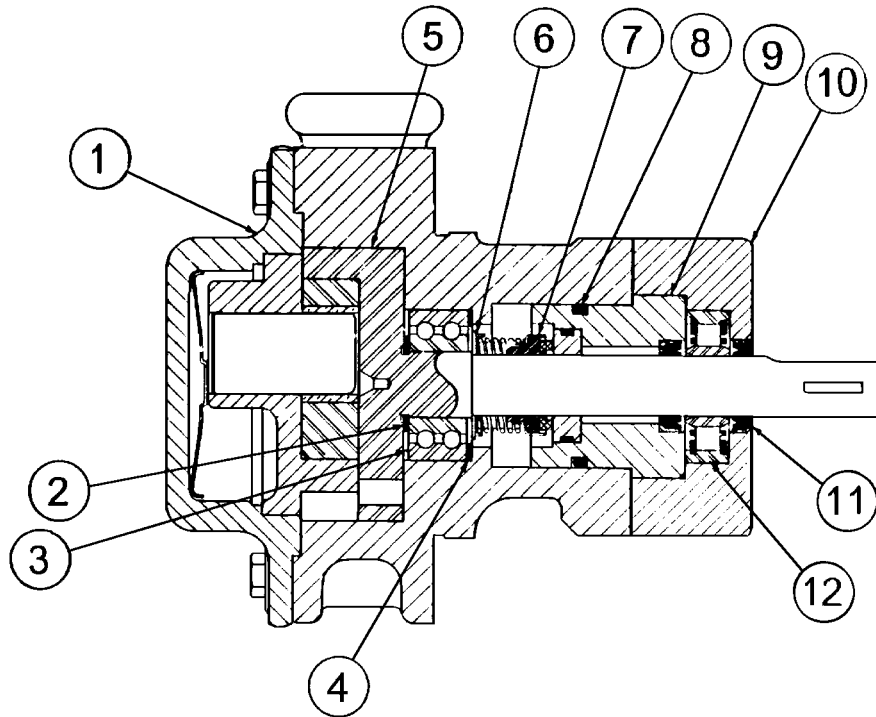


D74881

PISTON LUBRICATING PUMP

Ref. No.	Name of Part	Qty.	Part No.
	PUMP ASSEMBLY, Includes All Parts Shown		CA122
1	CASING	1	C1K2A1
2	PLUG-SqHd PIPE	2	64AA6
3	COCK, Drain	1	90C31
4	IMPELLER ASSEMBLY, SHAFT & PIN	1	C1K1A1A
5	KEY	1	35B4
6	SEAL	1	60BT11
8	GASKET	1	25D212
9	FRAME	1	C1H4A2
10	SCREW	8	75A130
11	BEARING-BALL (Inner) Includes Retaining Ring	1	12AK3
12	BEARING-BALL (Outer) Includes Retaining Ring	1	12AK3

Order by Part Number and Description. Reference Numbers are for your convenience only.



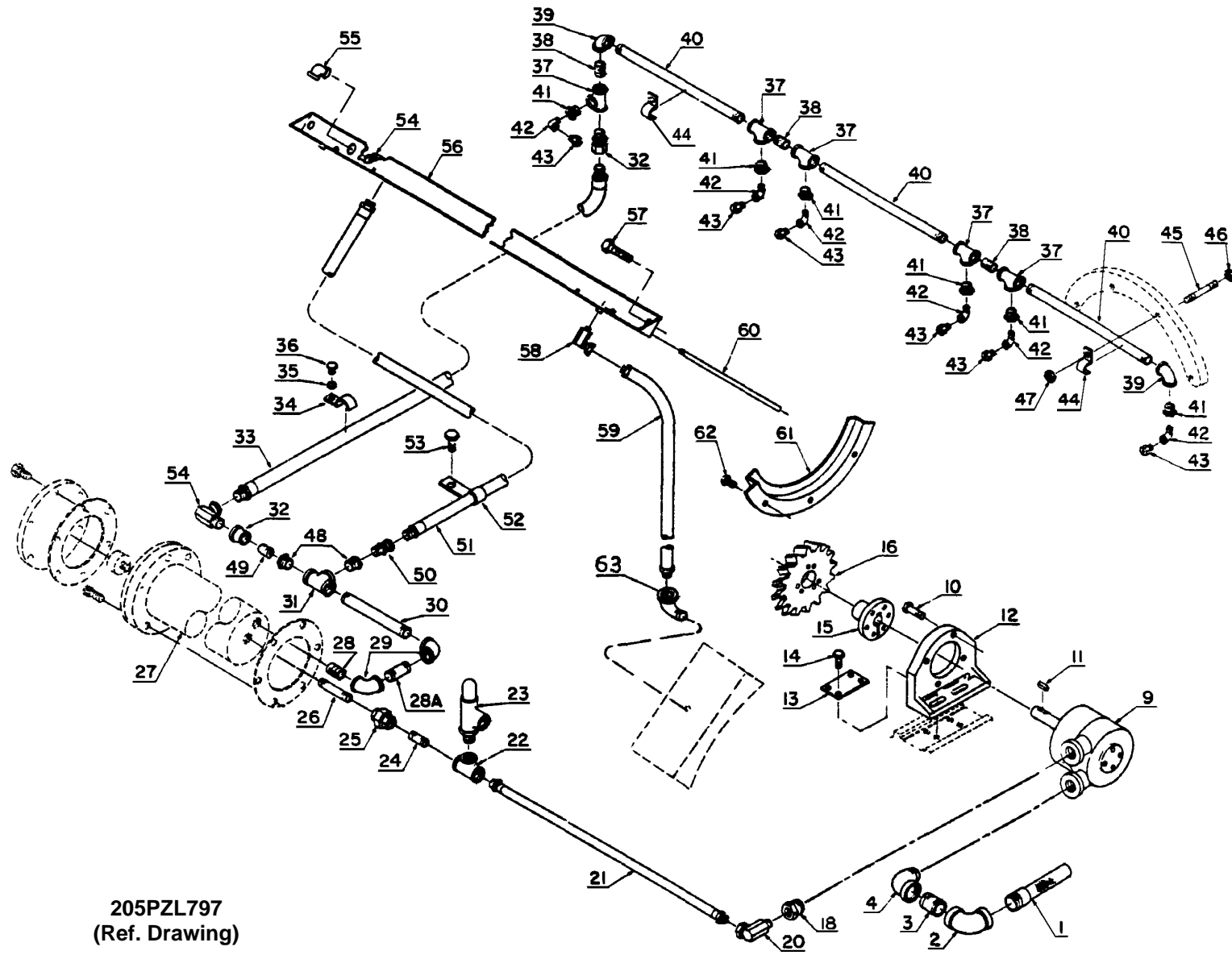
**300PAH810
(Ref. Drawing)**

OIL CIRCULATING PUMP

Ref. No.	Name of Part	Qty.	Part No.
	OIL PUMP – COMPLETE	1	201PAH188
1	COVER	1	2010987
2	WASHER	1	2010992
3	BALL BEARING	1	2010993
4	SHIM, Bearing	1	2010994
5	ROTOR	1	2010995
6	WASHER	1	2010996
7	SEAL, Mechanical	1	2109003
8	O-RING	1	2109004
9	PLUG-HOUSING	1	2010997
10	HOUSING-BEARING	1	2109005
11	SEAL, Bearing Housing	1	2010998
12	BEARING-ROLLER	1	2010999
*	VENT PLUG-SUCTION	1	2109000
*	VENT PLUG-DISCHARGE	1	2109001
*	WASHER, Vent Plug	2	2109002

* Not shown.

OIL PUMP & PIPING



205PZL797
(Ref. Drawing)

FOR LIST OF PARTS SEE PAGE 19

Order by Part Number and Description. Reference Numbers are for your convenience only.

OIL PUMP & PIPING

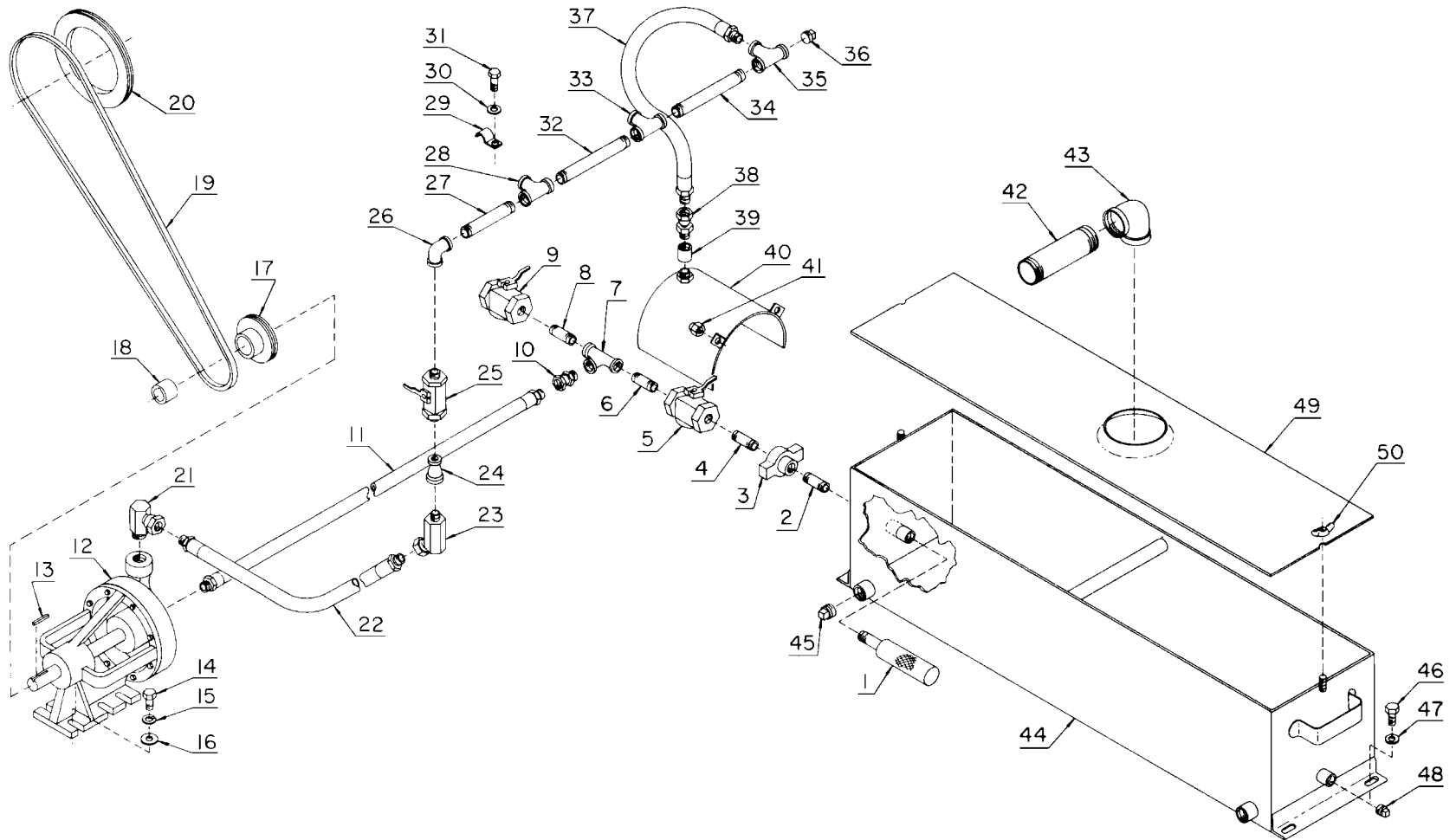
Ref. No.	Name of Part	Qty.	Part No.	Ref. No.	Name of Part	Qty.	Part No.
1	SCREEN-OIL	1	3WAJ511	37	TEE	5	64G6
2	ELBOW	1	64C8	38	NIPPLE	3	63F21
3	NIPPLE	1	63U24X16	39	ELBOW	2	64C4
4	ELBOW	1	64U4	40	NIPPLE	3	63N8X160
9	PUMP-OIL**	1	201PAH188	41	BUSHING-PIPE	6	64E23
10	SCREW	4	75A35N	42	ELBOW	6	64X1
11	KEY	1	35D2	43	NOZZLE	6	2009982
12	ADAPTOR, Oil Pump	1	200PZL170	44	CLAMP	2	200PZL654
13	PLATE, Oil Pump to Frame	1	PY526	45	STUD	2	79H1
14	SCREW, Adaptor to Frame	4	655ED05D	46	NUT	2	50B5
15	BUSHING-HUB, Gear	1	22F12SD	47	LOCKNUT	2	50V44
16	GEAR-DRIVEN, Oil Pump	1	201PZL280				
*	WIRE	24"	97A29		(Filter Tee to Trough)		
	(Pump Discharge to Filter)			48	BUSHING-PIPE	3	64E95
20	ADAPTOR-HOSE	1	29Q17	49	NIPPLE	1	63V8X11
21	HYDRAULIC HOSE ASSEMBLY	1	29R21	50	ADAPTOR-HOSE	2	29Q6
22	TEE	1	64G7	51	HYDRAULIC HOSE ASSEMBLY	1	29Z81
23	VALVE-LIQUID RELIEF	1	90Q62	52	CLAMP, Hose to Frame	5	PZ1301
24	NIPPLE	1	63U12X16	53	SCREW, Clamp	1	655ED020
25	UNION-STRAIGHT	1	64Z10	54	ADAPTOR-HOSE	2	29Q17
26	NIPPLE	1	63U12X34	55	ELBOW	1	64C5
27	FILTER-OIL***	1	26C18		(Oil Trough to Main Bearing)		
	(Filter to Crosshead Spray)			56	TROUGH, Oil Feed	1	201PZL125
28	NIPPLE	1	63U12X13	57	SCREW, Trough to Frame	2	655EF040
28A	NIPPLE	1	63U12X22	58	ADAPTOR-HOSE	2	29Q54
29	ELBOW	2	64C5	59	HYDRAULIC HOSE ASSEMBLY	2	29Z35
30	NIPPLE	1	63U12X80	60	NIPPLE, Trough to Jackshaft	2	63AJ6X130
31	TEE	1	64G7	61	TROUGH, Jackshaft Bearing Oil	2	202PZL125
32	REDUCER-PIPE	1	64N25	62	SCREW, Jackshaft Bearing Oil Trough	6	655EE03D
33	HYDRAULIC HOSE ASSEMBLY	1	29Z26				
34	CLAMP, Hose	2	98H4	*	ELBOW, Hose to Bearing	2	64D4
35	WASHER, Clamp	2	95B1	*	WIRE	96"	97A29
36	SCREW, Hose Clamp	2	655EC030	*	BUSHING-PIPE	1	64E36

* Not shown.

** For Oil Pump and Component Parts See Page 17

*** For Oil Filter and Component Parts See Page 25

**PISTON LUBRICATING PIPING
(General Service)**



Order by Part Number and Description. Reference Numbers are for your convenience only.

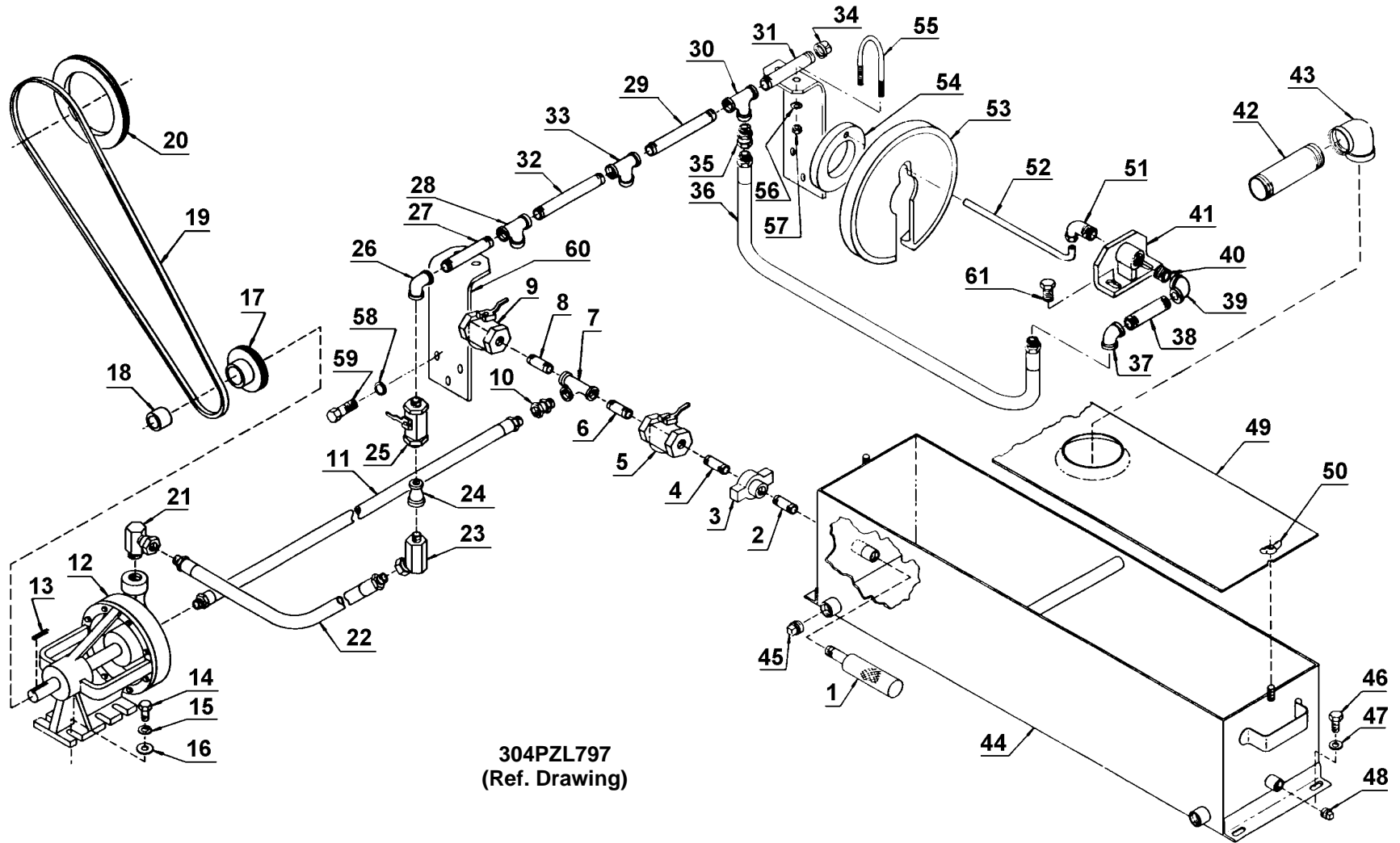
**PISTON LUBRICATING PIPING
(General Service)**

Ref. No.	Name of Part	Qty.	Part No.	Ref. No.	Name of Part	Qty.	Part No.
1	SCREEN-OIL	1	2WAJ511	26	ELBOW	1	64C5
2	NIPPLE	1	63H25	27	NIPPLE	1	63G9
3	UNION-HAMMER, Wing	1	64EB1	28	TEE	1	64P39
4	NIPPLE	1	63H25	29	CLAMP	2	98H5
5	VALVE	1	90A36	30	WASHER	2	95B3
6	NIPPLE	1	63H25	31	SCREW	2	75A68
7	TEE	1	64G8G	32	NIPPLE	1	63N12X184
8	NIPPLE	1	63H25	33	TEE	1	64P39
9	VALVE	1	90A36	34	NIPPLE	1	63N12X184
10	ADAPTOR-HOSE	1	29Q9	35	TEE	1	64P39
11	HYDRAULIC HOSE ASSEMBLY	1	29Z7	36	PLUG	1	64A5
12	PUMP PISTON LUBRICATING,** Includes Reference Number 13	1	CA122	37	HYDRAULIC HOSE ASSEMBLY	3	29R32
13	KEY	1	35B4	38	ADAPTOR-HOSE	3	29Q83
14	SCREW, Pump to Skid	4	655ED040	39	COUPLING-PIPE	3	64BK3
15	LOCKWASHER, Pump to Skid	4	95B3	40	BAFFLE	3	200PZL840
16	WASHER, Pump to Skid	4	95A3	41	NUT-ACORN	6	50Q30
17	SHEAVE	1	73K1A30		(Frame to Lube Oil Tank Group)		
18	BUSHING-HUB	1	22E16B	42	NIPPLE	1	63L28
19	BELT	1	13C79	43	ELBOW	1	64C9
20	AUXILIARY SHEAVE ASSEMBLY	1	200PZL195A	44	TANK-LUBE OIL	1	200PZL250
*	SET SCREW, Sheave	2	76F30	45	PLUG	2	64A7
	(Pump to Liner Group)			46	SCREW, Lube Tank to Skid	4	655EE040
21	ADAPTOR-HOSE	1	29Q10	47	WASHER	4	95A5
22	HYDRAULIC HOSE ASSEMBLY	1	2009270	48	PLUG	1	64A6
23	ADAPTOR-HOSE	1	29Q27	49	COVER-LUBE OIL TANK	1	2012655
24	REDUCER-PIPE	1	64N3	50	NUT-WING	2	50H1
25	VALVE	1	90A25	*	NIPPLE	1	63AJ32X60

* Not shown.

** For Piston Lubricating Pump and Components Parts See Page 16.

PISTON LUBRICATING PIPING
(High Pressure Service)



304PZL797
(Ref. Drawing)

FOR LIST OF PARTS SEE PAGE 23

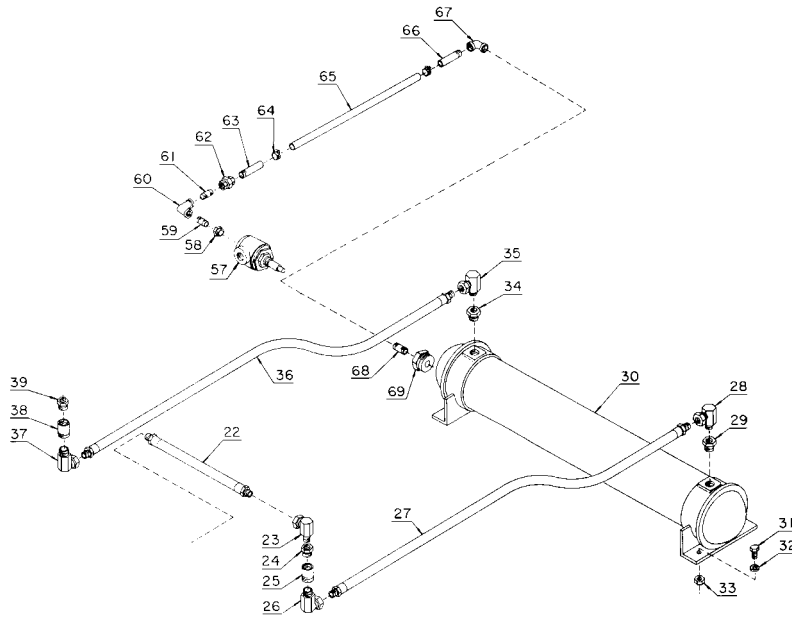
Order by Part Number and Description. Reference Numbers are for your convenience only.

**PISTON LUBRICATING PIPING
(High Pressure Service)**

Ref. No.	Name of Part	Qty.	Part No.	Ref. No.	Name of Part	Qty.	Part No.
1	SCREEN-OIL	1	2WAJ511	31	NIPPLE	1	63N12X200
2	NIPPLE	1	63H25	32	NIPPLE	1	63G19
3	UNION-HAMMER, Wing	1	64EB1	33	TEE	1	64P39
4	NIPPLE	1	63H25	34	CAP-PIPE	1	64AD5
5	VALVE	1	90A36	35	ADAPTOR-HOSE	3	29Q6
6	NIPPLE	1	63H25	36	HYDRAULIC HOSE ASSEMBLY	3	29R29
7	TEE	1	64G8G	37	ELBOW	3	64C4
8	NIPPLE	1	63H25	38	NIPPLE	3	63F6
9	VALVE	1	90A36	39	ELBOW	3	64C4
10	ADAPTOR-HOSE	1	29Q9	40	NIPPLE	3	63F33
11	HYDRAULIC HOSE ASSEMBLY	1	29Z7	41	BRACKET	3	300PZL017
12	PUMP PISTON LUBRICATING,** Includes Reference Number 13	1	CA122		(Frame to Lube Oil Tank Group)		
13	KEY	1	35B4	42	NIPPLE	1	63L28
14	SCREW, Pump to Skid	4	655ED040	43	ELBOW	1	64C9
15	LOCKWASHER, Pump to Skid	4	95B3	44	TANK-LUBE OIL	1	200PZL250
16	WASHER, Pump to Skid	4	95A3	45	PLUG	2	64A7
17	SHEAVE	1	73K1A30	46	SCREW, Lube Tank to Skid	4	655EE040
18	BUSHING-HUB	1	22E16B	47	WASHER	4	95A5
19	BELT	1	13C79	48	PLUG	1	64A6
20	AUXILIARY SHEAVE ASSEMBLY	1	200PZL195A	49	COVER-LUBE OIL TANK	1	2012655
*	SET SCREW, Sheave	2	76F30	50	NUT-WING	2	50H1
	(Pump to Liner Group)			51	FITTING-TUBE	3	86M18
21	ADAPTOR-HOSE	1	29Q10	52	TUBE-FORMED	3	300PZL857
22	HYDRAULIC HOSE ASSEMBLY	1	2009270	53	CAP-BAFFLE	3	300PZL237
23	ADAPTOR-HOSE	1	29Q27	54	RING-WATER DISTRIBUTION	3	300PZL461
24	REDUCER-PIPE	1	64N3	55	U-BOLT	6	123684
25	VALVE	1	90A25	56	LOCKWASHER	4	95B3
26	ELBOW	1	64C5	57	NUT	4	50AQ3
27	NIPPLE	1	63N12X200	58	SCREW	6	655ED040
28	TEE-PIPE	1	64P39	59	LOCKWASHER	6	95B3
29	NIPPLE	1	63N12X190	60	BRACKET-WASH PIPE	2	301PZL017
30	TEE-PIPE	1	64P39	61	SCREW-FLANGE HEAD	6	75LM150
				*	NIPPLE	1	63AJ32X60

* Not shown.

** For Piston Lubricating Pump and Components Parts See Page 16.



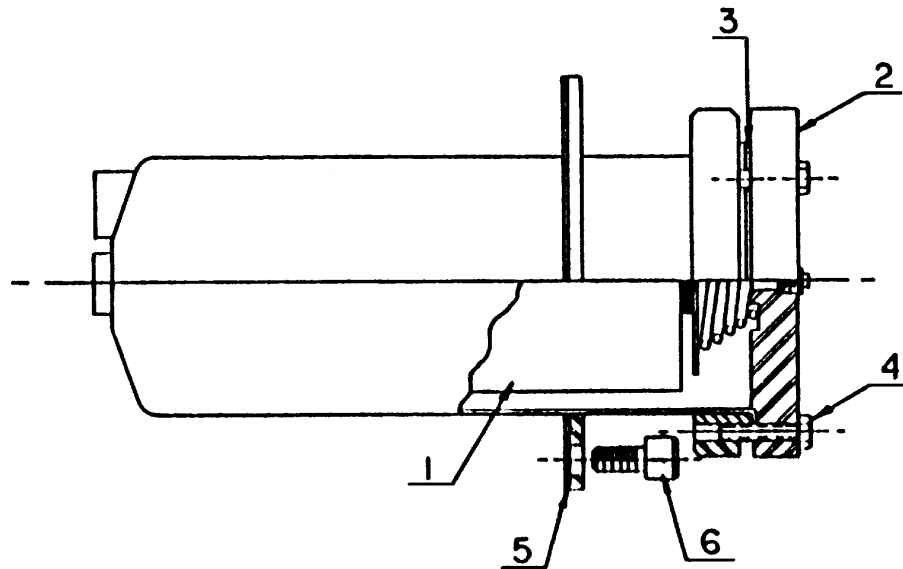
D77046

**HEAT EXCHANGER GROUP
(OPTIONAL EQUIPMENT)**

Ref. No.	Name of Part	Qty.	Part No.
22	HYDRAULIC HOSE	28"	R5F
23	ADAPTOR	1	29Q17
24	BUSHING-PIPE	1	64E16
25	CONNECTOR, Frame	1	78AUX113
26	ADAPTOR	1	29Q10
27	HYDRAULIC HOSE	75"	R5G
28	ADAPTOR	1	29Q10
29	BUSHING-PIPE	1	64E11
30	HEAT EXCHANGER	1	2013457
31	SCREW, Heat Exchanger to Skid	4	655EE060
32	LOCKWASHER	4	95B5
33	NUT	4	50B5
34	BUSHING-PIPE	1	64E11
35	ADAPTOR	1	29Q10
36	HYDRAULIC HOSE	75"	R5G
37	ADAPTOR	1	29Q10
38	CONNECTOR, Frame	1	78AUX113
39	BUSHING-PIPE	1	64E16
57	VALVE-THERMOSTAT	1	90K165
58	BUSHING-PIPE	1	64E14
59	NIPPLE	1	63F21
60	ELBOW	1	64C4
61	NIPPLE	1	63F21
62	UNION	1	64Z3
63	NIPPLE	1	63AJ8X40
64	CLAMP-HOSE	2	29B31
65	HOSE-OIL	40"	R14G
66	NIPPLE	1	63AJ8X40
67	ELBOW	1	64C4
68	NIPPLE	1	63F21
69	BUSHING	1	64E29
*	HOSE COUPLING	2	29Q158
*	HOSE COUPLING	2	29Z83
*	PLUG-ZINC, Protective	1	2008076
*	NIPPLE	1	63U12X13
*	ELBOW	1	64C62
*	NIPPLE	1	63U12X40
*	HOSE COUPLING	2	29Z83

* Not Shown on Drawing.

Order by Part Number and Description. Reference Numbers are for your convenience only.



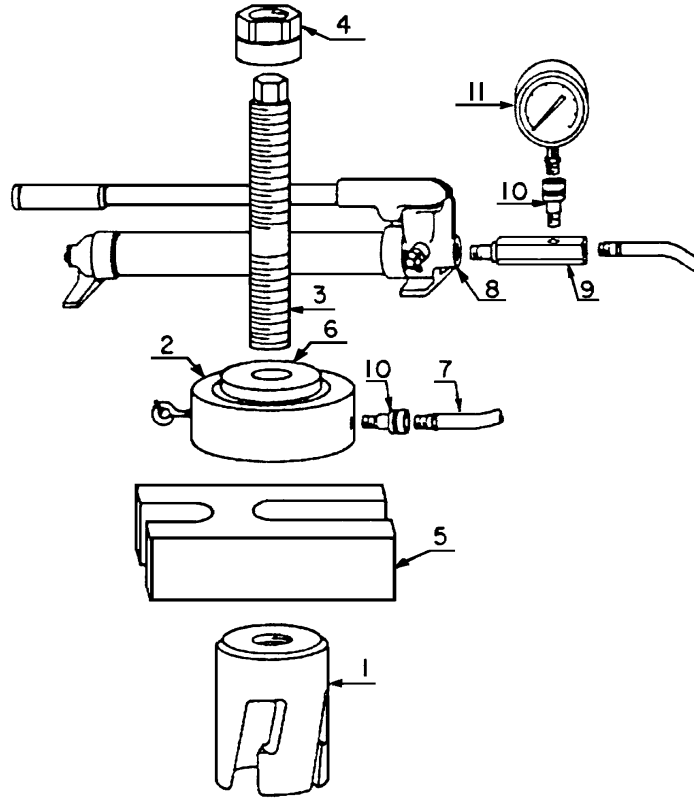
B76839

OIL FILTER

Ref. No.	Name of Part	Qty.	Part No.
	OIL FILTER ASSEMBLY, Includes Reference Numbers 1 thru 4	1	26C18
1	ELEMENT ASSEMBLY, Includes Reference Number 3	1	5E30
2	COVER	1	2109770
3	GASKET	1	2109771
4	SCREW	4	75A54
5	GASKET, Filter to Frame	1	25C1788N
6	SCREW-SoHd CAP, Filter to Frame	6	75P95
*	GAUGE-PRESSURE	1	2009742

* Not shown.

Order by Part Number and Description. Reference Numbers are for your convenience only.



**VALVE SEAT PULLER
(OPTIONAL EQUIPMENT)**

Ref. No.	Name of Part	Qty.	Center Guided Part No.	Full Opening Part No.
1	HEAD (Not Included with 100E12 Puller)	1	100E13 **	300PZL219
	VALVE SEAT PULLER ASSEMBLY, Includes Reference Numbers 2 thru 11	1	100E12	100E12
2	HYDRAULIC JACK	1	2116728	2116728
3	CENTER STEM	1	2117314	2117314
4	CENTER STEM NUT	1	2117315	2117315
5	PULLER H BAR BASE	1	2116727	2116727
6	CENTER BUSHING	1	2117316	2117316
*	CENTER BUSHING	1	2117317	2117317
7	HYDRAULIC HOSE	1	2117318	2117318
8	HYDRAULIC PUMP	1	2117319	2117319
9	GAUGE ADAPTOR	1	2117320	2117320
10	GAUGE COUPLER	1	2117321	2117321
*	GAUGE COUPLER	1	2117322	2117322
11	GAUGE 170 TON	1	2117323	2117323
*	CARRYING CASE	1	2117055	2117055

* Not shown.

** Shown on Drawing.

Order by Part Number and Description. Reference Numbers are for your convenience only.

OPTIONAL EQUIPMENT

Ref. No.	Name of Part	Qty.	Part No.
	BAR, Valve Cover Tightening	1	62L62
	PIN, Valve Cover Tightening Bar	1	2009526
	HYDRILL DAMPENER (K10-5000)	1	200FXT622
	HOSE, For Charging Hydrill Dampener	1	200OPA127
	TOOL, Piston Rod Nut Removal	1	200PZL07
	PRESSURE GAUGE GROUP, Includes Next 3 Items	1	PZL75283
	GAUGE (0 – 6000 PSI)	1	27P70
	PIPE NIPPLE	1	63V32X60
	PIPE ELBOW	1	64EB241
	RELIEF VALVE GROUP, Includes Next 4 Items	1	PZL75284
	RELIEF VALVE (1000 PSI – 5000 PSI)	1	5829653
	PIPE NIPPLE	1	63V48X60
	PIPE ELBOW	1	64EB242
	STREET ELBOW	1	64D14
	BLOCK SUPPORT & DISCHARGE CROSS GROUP, Includes		
	301PZG4067 and PZL75278 Groups	1	PZL74435
	BLOCK GROUP (Includes next six items)	1	301PZG4067
	GASKET	2	25V24
	GASKET	2	25V17
	FLANGE	1	191161
	FLANGE	1	64EB240
	FLANGE	1	64EB50
	BLOCK GROUP (Includes next five items)	1	300PZG4067
	BLOCK	1	205PZL231
	STUD	24	206PZL110
	NUT	24	50AW11
	STUD	16	208PZL110
	NUT	16	50AW13
	SUPPORT GROUP (Includes next three items)	2	PZL75278
	SUPPORT	2	201845T6
	BASE	1	195100
	BASE	2	5015475

GARDNER DENVER UNIT RECORD

The following unit identification plate is provided as a convenience to you, our valued Gardner Denver customer. Please take the time to copy all the information from the actual nameplate of your unit. The model number, date manufactured and serial number will be required when contacting the company or your distributor for information or replacement parts.

DANGER-READ INSTRUCTION MANUAL BEFORE MOVING OR OPERATING UNIT						
MODEL	<input style="width: 95%;" type="text"/>	DATE MFG	<input style="width: 95%;" type="text"/>	SERIAL NO.	<input style="width: 95%;" type="text"/>	
ID NO.	<input style="width: 95%;" type="text"/>	MAX TEMP	<input style="width: 95%;" type="text"/>	C/CASE OIL CAP. GAL	<input style="width: 95%;" type="text"/>	
SERVICE	RATED MAX INPUT BHP	RATED MAX INPUT RPM	RATED MAX PUMP RPM	DISCHARGE MAX PSI W.P. OF FLUID CYL.	SUCTION MAX PSI W.P. OF FLUID CYL.	MAX INPUT RPM AT MAX PRESSURE
CONTINUOUS	<input style="width: 95%;" type="text"/>	<input style="width: 95%;" type="text"/>	<input style="width: 95%;" type="text"/>	<input style="width: 95%;" type="text"/>	<input style="width: 95%;" type="text"/>	<input style="width: 95%;" type="text"/>
INTERMITTENT	<input style="width: 95%;" type="text"/>	<input style="width: 95%;" type="text"/>	<input style="width: 95%;" type="text"/>	<input style="width: 95%;" type="text"/>	<input style="width: 95%;" type="text"/>	<input style="width: 95%;" type="text"/>
DISPLACEMENT & PRESSURE AT RATED RPM, SEE O-M MANUAL FOR ADDITIONAL SPECIFICATIONS						
SIZE	<input style="width: 95%;" type="text"/>	<input style="width: 95%;" type="text"/>	<input style="width: 95%;" type="text"/>	<input style="width: 95%;" type="text"/>	<input style="width: 95%;" type="text"/>	<input style="width: 95%;" type="text"/>
GPM	<input style="width: 95%;" type="text"/>	<input style="width: 95%;" type="text"/>	<input style="width: 95%;" type="text"/>	<input style="width: 95%;" type="text"/>	<input style="width: 95%;" type="text"/>	<input style="width: 95%;" type="text"/>
PSI	<input style="width: 95%;" type="text"/>	<input style="width: 95%;" type="text"/>	<input style="width: 95%;" type="text"/>	<input style="width: 95%;" type="text"/>	<input style="width: 95%;" type="text"/>	<input style="width: 95%;" type="text"/>
INTERMITTENT DUTY MAXIMUM PRESSURE, SEE O-M MANUAL FOR ADDITIONAL SPECIFICATIONS						
PSI	<input style="width: 95%;" type="text"/>	<input style="width: 95%;" type="text"/>	<input style="width: 95%;" type="text"/>	<input style="width: 95%;" type="text"/>	<input style="width: 95%;" type="text"/>	<input style="width: 95%;" type="text"/>
Gardner Denver				PURCHASER ID NO.	<input style="width: 95%;" type="text"/>	
2000PA496		Gardner Denver Machinery Inc. Quincy, Illinois			MADE IN USA	
GIVE MODEL, ID NO. AND SERIAL NO. WHEN ORDERING REPAIR PARTS OR SERVICE						

**2000PA496
(Ref. Drawing)**

Gardner

Denver

For additional information contact your local representative or Gardner Denver Machinery Inc., Customer Service Department, 1800 Gardner Expressway, Quincy, Illinois 62301
Telephone: (800) 682-9868 FAX: (217) 224-7814



Sales and Service in all major cities.

For parts information, contact Gardner Denver, Master Distribution Center, Memphis, TN
Telephone: (800) 245-4946 FAX: (901) 542-6159

Specifications subject to change without notice.
Copyright 1998 Gardner Denver Machinery Inc.

Litho in U.S.A.