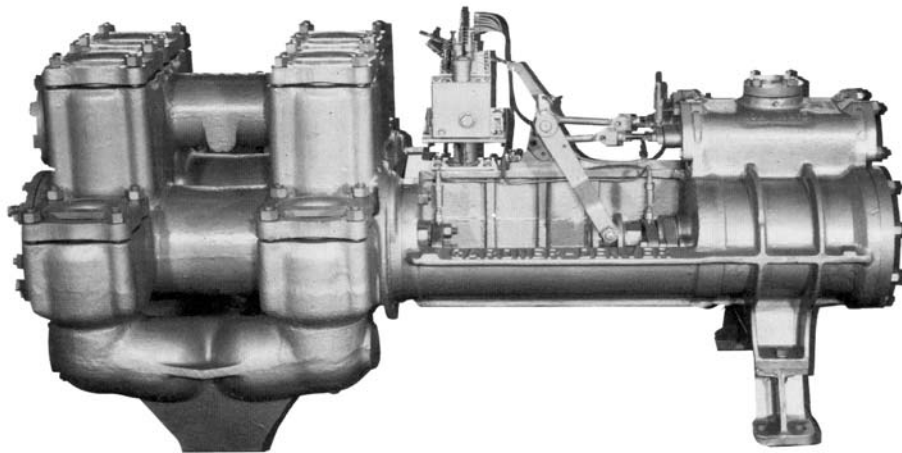




DFS (FY-FS) HIGH PRESSURE DUPLIX STEAM PUMP Air • Steam • Gas Driven



SPECIFICATIONS:

No. of Pistons: 2
Stroke Length: 10"
Pump Weight: 4,350 lbs.
(1,973 kg)

Fluid Cylinder Connections
Suction: 6"
Discharge: 4"

VALVE POT TYPE DUPLEX STEAM PUMPS

With Piston Type Steam Valves – One-Piece Alloy Cast Iron Fluid End

DFS (FY-FS) SIZES AND RATINGS

SIZE		Steam End Suitable for Max Pressure	Max Steam Pressure for Max Fluid Pressure	Fluid End Suitable for Maximum Pressure	Max Fluid Pressure with Max Steam Pressure	*DISPLACEMENT													
Diameter of Steam Cylinders	Diameter of Fluid Cylinders					Length of Stroke	30 RPM		60 RPM										
in	mm	in	mm	in	mm	lbs/ in2	kg/ cm2	lbs/ in2	kg/ cm2	lbs/ in2	kg/ cm2	lbs/ in2	kg/ cm2	Gallons per Rev.	Liters per Rev.	Gallons per Min.	Liters per Min.	Gallons per Min.	Liters per Min.
10	254	7.5	191	10	254	400	28.1	400	28.1	Test Pressure 1300 psi	91.4	500	35.2	7.497	28.4	225	852	450	1703
		7.25	184					400	28.1			530	37.3	6.987	26.5	210	795	419	1586
		7	178					400	28.1			570	40.1	6.511	24.6	195	738	391	1480
		6.5	165					390	27.4			650	45.7	5.593	21.2	168	636	336	1272
		6	152					335	23.6			650	45.7	4.743	18.0	142	538	235	1079
		5.5	140					280	19.7			650	45.7	3.961	15.0	119	450	238	902
		5	127			235	16.6			650	45.7	3.247	12.3	97.4	369	195	738		

Cylinder liners and pistons interchangeable in sizes listed in each group.
 * Theoretical displacement with rods deducted (no slippage considered).
 Stalling pressures are approximately 50% in excess of maximum fluid pressures.

Specifications subject to change without notice.



**DFS (FY-FS) High Pressure
Duplex Steam Pump
Air • Steam • Gas Driven**

STANDARD EQUIPMENT

- Rods and pistons.
- Liners and valves.
- Wood skids.
- All necessary drain cocks and plugs.

OPTIONAL EQUIPMENT

- Lubricator
- Fluid liner pullers
- Valve seat pullers
- Surge chamber
- Steel skid
- Stainless steel valves

MODEL DESIGNATIONS

MODEL	FY-FS
Mud Service Fitted	DFSA
Grout & Cement Service	DFSD
Oil Service	DFSG
General Service	DFSR
Bronze Fitted (Water Svc)	DFSK
Stroke	10"
Liner Size	
Maximum	7.5"
Minimum	5"
Fluid End Type	Cast Iron Two Piece

MATERIAL SPECIFICATIONS

COMPONENT	STANDARD FITTED	MUD, GROUT & CEMENT FITTED	OIL SERVICE FITTED	BOILER FEED or WATER SERVICE
Cylinder	Cast Iron	Cast Iron	Cast Iron	Cast Iron
Liners	Hardened Steel	Hardened Steel	Hardened Steel	Bronze
Suction Manifold	Cast Iron	Cast Iron	Cast Iron	Cast Iron
Discharge Manifold	Cast Iron	Cast Iron	Cast Iron	Cast Iron
Packing	Braided Polymer	Molded Convex	Braided Polymer	Braided Polymer
Piston	Iron Follower Type	Steel Insert Type	Iron Solid Type	Bronze Follower Type
Piston Rod	Hardened Steel	Hardened Steel	Hardened Steel	Bronze
Stuffing Box	Cast Iron	Cast Iron	Cast Iron	Cast Iron
Valve	Steel Center Guided	Steel (Gravel) Wing Guided	Steel Center Guided	Bronze Wing Guided
Valve Seats	Steel	Steel	Steel	Bronze

STEAM END	
COMPONENT	MATERIAL
Cylinder	Cast Iron
Piston	Cast Iron
Packing	Braided Polymer
CONNECTIONS	
Inlet	2"
Exhaust	2 1/2"

*Materials listed are furnished as standard equipment. Alternate materials available upon request.



1800 Gardner Expressway
Quincy, Illinois 62301
(800)682-9868 Fax:(217)224-7814



119 Nolan Road
Broussard, LA 70518
(337)837-2701 Fax:(337)837-3250
www.candbsales.com sales@candbsales.com

