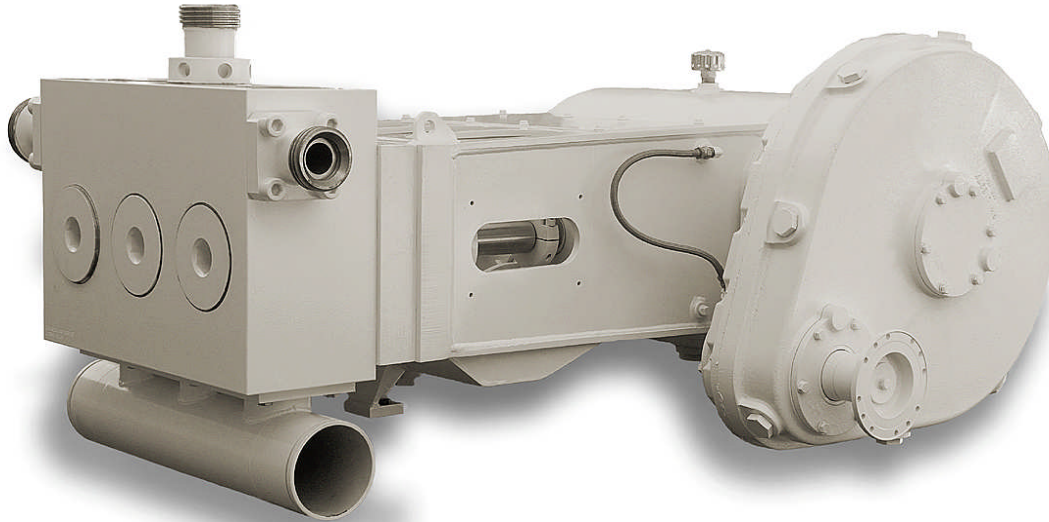


DRILLING & INJECTION PUMP FOR HORIZONTAL DRILLING, CIRCULATING, & INJECTION



INDUSTRIAL DUTY - PUMP SPECIFICATIONS

Pump Model.....	GD-600 PL
Fluid End Type.....	Monoblock
Horsepower (Industrial).....	500
Stroke Length.....	6"
Maximum Rod Load.....	75,000 lbs.
Gear Ratio.....	4.68 : 1
Overall Length.....	83"
Overall Height.....	35-1/2"
Weight.....	5,250 lbs.

PERFORMANCE DATA **

Piston Diameter (Inches)	Gallons Per Rev.	PUMP SPEED IN CRANKSHAFT REVOLUTIONS PER MINUTE (RPM)									
		100		150		200		250		300	
		Flow (gpm)	Pressure (psig)	Flow (gpm)	Pressure (psig)	Flow (gpm)	Pressure (psig)	Flow (gpm)	Pressure (psig)	Flow (gpm)	Pressure (psig)
4 ½	1.239	124	4000	185	3500	248	3000	310	2500	372	2000
5	1.529	153	3500	229	3000	306	2500	382	2000	459	1500
5 ½	1.851	185	3000	277	2500	370	2000	462	1500	555	1250
6	2.200	220	2500	330	2000	440	1500	550	1250	660	1000
Brake Horsepower		320-380		420-450		450-475		450-500		450-475	
Pinion RPM		468		702		936		1170		1404	

** Based on 90% ME and 100% VE.

Note: Piston and liner life may be reduced at speeds exceeding 250 RPM.

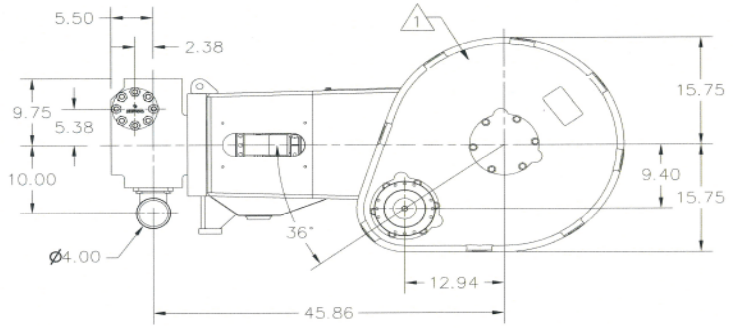


Power Unit by Gardner Denver:

- Fabricated steel frame
- Forged steel crankshaft construction
- Left or right hand gearbox mounting
- Solid nodular iron connecting rods
- Clamp-style extension rod connections
- Pressurized lubrication system
- Helical gear reducer (4.68 to 1)
- Spicer Series 1810 input hub

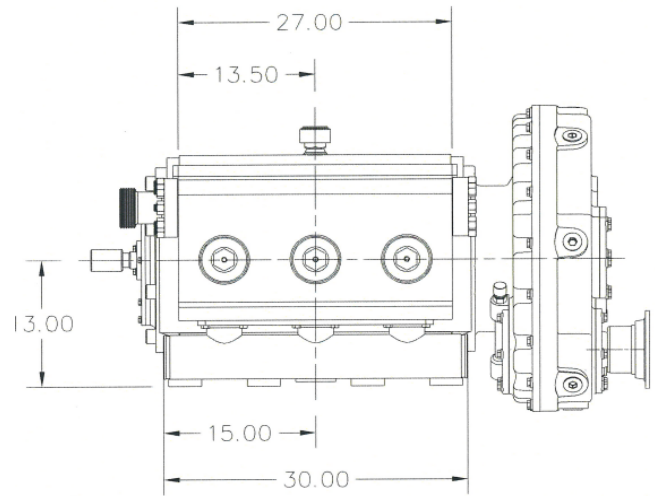
Fluid end by C & B Pumps & Compressors:

- Forged SAE 4340 mono-block cylinder
- Valve covers with threaded retainers
- Chrome sleeved replaceable liners
- Full open valves w/ replaceable inserts
- Series-P pistons with replaceable inserts
- Two-piece piston rods w/ clamp connections
- Suction Connections: 6" pipe (Victaulic)
- Discharge Connections: 2"/3" 1502 WECO



Optional Equipment:

- Dual discharge connections
- Valve cover gauge connection
- Lube oil reservoir, pump, filter and cooler
- Relief valve and pressure gauge
- Liner wash pump and reservoir
- Stroke counter and flow totalizer
- Pulsation dampeners
- Pump tools and pullers



YOUR EXCLUSIVE SOURCE FOR THE



www.candbsales.com

119 Nolan Road, Broussard, Louisiana 70518

(337) 837-2701 fax: (337) 837-3250 sales@candbsales.com

